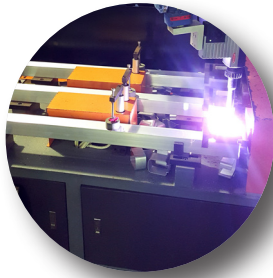


THE CLASSIC DIFFERENCE



**100% PURE
ALUMINUM**



**PREMIUM
MANUFACTURING**



**INNOVATIVE
PRODUCTS**



**A COMPLETE
SOLUTION**



**THE GREEN
CHOICE!**



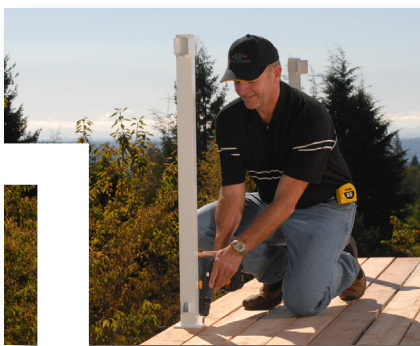
**20-YEAR
WARRANTY**



**BUILDING CODE
APPROVED**

Easy 1-2-3 Installation

Homeowners appreciate the ease of installation while contractors value the reduced amount of time it takes to complete a job.



INSTALL POSTS



INSTALL TOP & BOTTOM RAILS



**INSTALL PICKETS OR
TEMPERED GLASS PANELS**

Classic
ALUMINUM RAILING SYSTEMS
PH: 1-604-952-4290
FAX: 1-604-952-4291

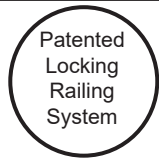
SPECIAL ORDER SALES
SOS Item #: (see pages)
Lead Time: 14 days

ALUMINUM RAILING



Features:

- Classic Aluminum Railing system is constructed of high strength aluminum alloys to meet or exceed national building codes.
- Patented lock-in picket system allows pickets to be quickly installed without the use of fasteners and bottom rail support.
- Premium UV powder coated finish provides maximum durability and low maintenance.
- Twenty year limited warranty on components and ten years on finish.



Top & Bottom Rails

SOS #	Vendor Model	Description	Colour	Qty	SOS Price
904847	CTB-6-0W	6' o/c Top & Bottom Rails • Actual length: 69"	White	1 Set	
904848	CTB-6-BL	6' o/c Top & Bottom Rails • Actual length: 69"	Black	1 Set	
904849	CTB-6-TP	6' o/c Top & Bottom Rails • Actual length: 69"	Taupe	1 Set	
904850	CTB-6-YB	6' o/c Top & Bottom Rails • Actual length: 69"	Yard Bronze	1 Set	
904851	CTB-8-0W	8' o/c Top & Bottom Rails • Actual length: 93"	White	1 Set	
904852	CTB-8-BL	8' o/c Top & Bottom Rails • Actual length: 93"	Black	1 Set	
904853	CTB-8-TP	8' o/c Top & Bottom Rails • Actual length: 93"	Taupe	1 Set	
904854	CTB-8-YB	8' o/c Top & Bottom Rails • Actual length: 93"	Yard Bronze	1 Set	

2 3/4" Posts - 42" High

SOS #	Vendor Model	Description	Colour	Qty	SOS Price
904801	CPC-0W	Corner Post (2 3/4" x 2 3/4" x 42"H)	White	1 Unit	
904804	CPC-BL	Corner Post (2 3/4" x 2 3/4" x 42"H)	Black	1 Unit	
904808	CPC-TP	Corner Post (2 3/4" x 2 3/4" x 42"H)	Taupe	1 Unit	
904805	CPC-YB	Corner Post (2 3/4" x 2 3/4" x 42"H)	Yard Bronze	1 Unit	
904803	CPE-0W	End Post (2 3/4" x 2 3/4" x 42"H)	White	1 Unit	
904802	CPE-BL	End Post (2 3/4" x 2 3/4" x 42"H)	Black	1 Unit	
904815	CPE-TP	End Post (2 3/4" x 2 3/4" x 42"H)	Taupe	1 Unit	
904816	CPE-YB	End Post (2 3/4" x 2 3/4" x 42"H)	Yard Bronze	1 Unit	

PRODUCTS MAY NOT BE EXACTLY AS ILLUSTRATED

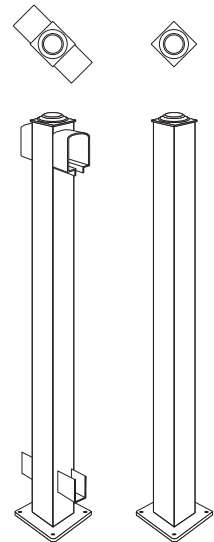
Classic
ALUMINUM RAILING SYSTEMS
PH: 1-604-952-4290
FAX: 1-604-952-4291

SPECIAL ORDER SALES
SOS Item #: (see pages)
Lead Time: 14 days

ALUMINUM RAILING
LOWE'S
Home Improvement Warehouse

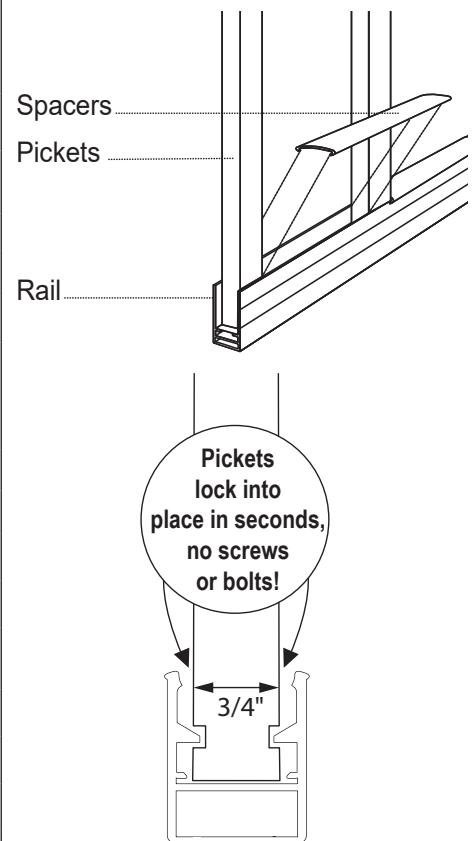
2 3/4" Posts - 42" High

SOS #	Vendor Model	Description	Colour	Qty	SOS Price
904817	CPL-0W	Line Post (2 3/4" x 2 3/4" x 42"H)	White	1 Unit	
904814	CPL-BL	Line Post (2 3/4" x 2 3/4" x 42"H)	Black	1 Unit	
904812	CPL-TP	Line Post (2 3/4" x 2 3/4" x 42"H)	Taupe	1 Unit	
904811	CPL-YB	Line Post (2 3/4" x 2 3/4" x 42"H)	Yard Bronze	1 Unit	
904940	CPS-0W	Stair Post (2 3/4" x 2 3/4" x 42"H)	White	1 Unit	
904941	CPS-BL	Stair Post (2 3/4" x 2 3/4" x 42"H)	Black	1 Unit	
904942	CPS-TP	Stair Post (2 3/4" x 2 3/4" x 42"H)	Taupe	1 Unit	
904943	CPS-YB	Stair Post (2 3/4" x 2 3/4" x 42"H)	Yard Bronze	1 Unit	



Pickets for Classic Railing System - Straight 3/4" X 3/4" square

SOS #	Vendor Model	Description	Colour	Qty	SOS Price
904742	CSP-6-0W	Straight Pickets for 6' o/c	White	14/pkg	
904743	CSP-6-BL	Straight Pickets for 6' o/c	Black	14/pkg	
904744	CSP-6-TP	Straight Pickets for 6' o/c	Taupe	14/pkg	
904745	CSP-6-YB	Straight Pickets for 6' o/c	Yard Bronze	14/pkg	
904746	CSP-8-0W	Straight Pickets for 8' o/c	White	19/pkg	
904747	CSP-8-BL	Straight Pickets for 8' o/c	Black	19/pkg	
904748	CSP-8-TP	Straight Pickets for 8' o/c	Taupe	19/pkg	
904749	CSP-8-YB	Straight Pickets for 8' o/c	Yard Bronze	19/pkg	
904951	CSS-6-0W	Stair Straight Pickets for 6' o/c	White	12/pkg	
904952	CSS-6-BL	Stair Straight Pickets for 6' o/c	Black	12/pkg	
904953	CSS-6-TP	Stair Straight Pickets for 6' o/c	Taupe	12/pkg	
904954	CSS-6-YB	Stair Straight Pickets for 6' o/c	Yard Bronze	12/pkg	



PRODUCTS MAY NOT BE EXACTLY AS ILLUSTRATED

Classic
ALUMINUM RAILING SYSTEMS
PH: 1-604-952-4290
FAX: 1-604-952-4291

SPECIAL ORDER SALES
SOS Item #: (see pages)
Lead Time: 14 days

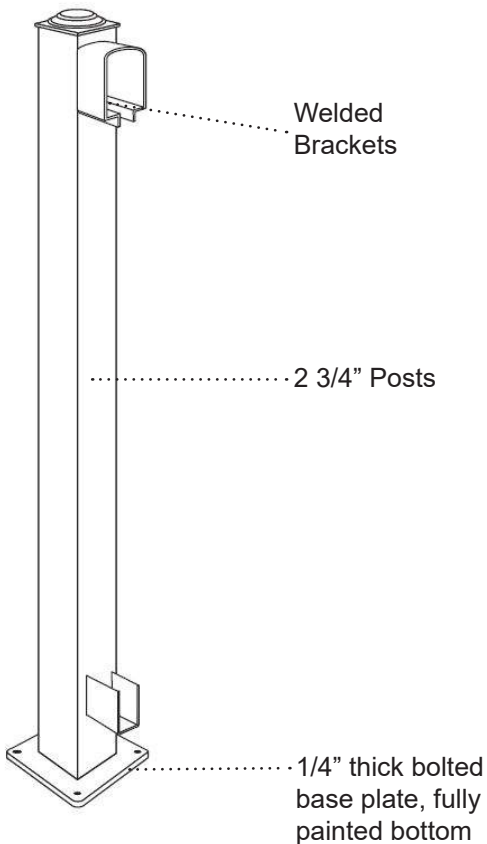
ALUMINUM RAILING
LOWE'S
Home Improvement Warehouse

Pickets for Classic Railing System - Wide 1 9/16" X 3/4"

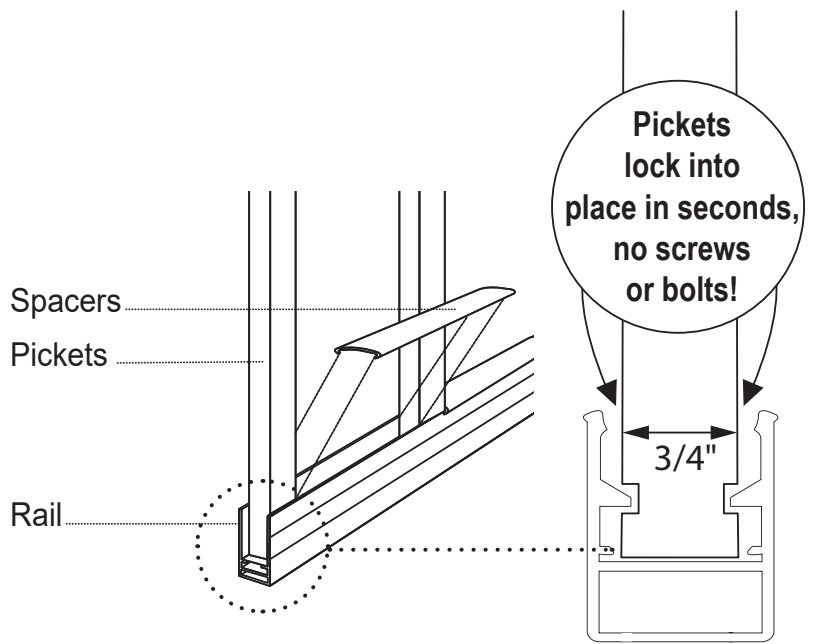
SOS #	Vendor Model	Description	Colour	Qty	SOS PRICE
904771	CWP-3-0W	Wide Pickets (covers 3ft)	White	6/pkg	
904772	CWP-3-BL	Wide Pickets (covers 3ft)	Black	6/pkg	
904773	CWP-3-TP	Wide Pickets (covers 3ft)	Taupe	6/pkg	
904774	CWP-3-YB	Wide Pickets (covers 3ft)	Yard Bronze	6/pkg	
904955	CWSP-3-0W	Stair Wide Pickets (covers 3ft)	White	6/pkg	
904956	CWSP-3-BL	Stair Wide Pickets (covers 3ft)	Black	6/pkg	
904957	CWSP-3-TP	Stair Wide Pickets (covers 3ft)	Taupe	6/pkg	
904958	CWSP-3-YB	Stair Wide Pickets (covers 3ft)	Yard Bronze	6/pkg	



Posts



Pickets and Rails



Patented Locking Pickets

PRODUCTS MAY NOT BE EXACTLY AS ILLUSTRATED

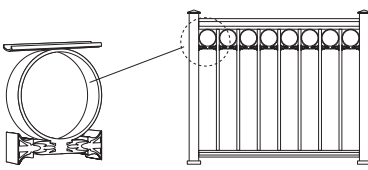
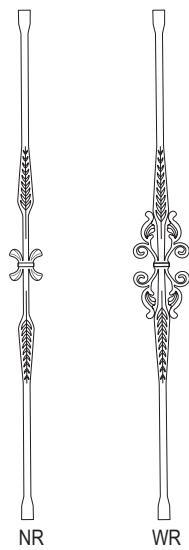
Classic
ALUMINUM RAILING SYSTEMS
PH: 1-604-952-4290
FAX: 1-604-952-4291

SPECIAL ORDER SALES
SOS Item #: (see pages)
Lead Time: 14 days

DECORATIVE ALUMINUM PICKETS



Decorative Options

SOS #	Vendor Model	Description	Colour	Qty	SOS Price	
904732	CDC-0W	Decorative Circle	White	1 Unit		
904740	CDC-BL	Decorative Circle	Black	1 Unit		
904726	CDC-TP	Decorative Circle	Taupe	1 Unit		
904734	CDC-YB	Decorative Circle	Yard Bronze	1 Unit		
904735	CDP-NR-0W	Narrow Round Decorative Picket	White	1 Unit		
904736	CDP-NR-BL	Narrow Round Decorative Picket	Black	1 Unit		
904738	CDP-NR-TP	Narrow Round Decorative Picket	Taupe	1 Unit		
904728	CDP-NR-YB	Narrow Round Decorative Picket	Yard Bronze	1 Unit		
904741	CDP-WR-0W	Wide Round Decorative Picket	White	1 Unit		
904731	CDP-WR-BL	Wide Round Decorative Picket	Black	1 Unit		
904729	CDP-WR-TP	Wide Round Decorative Picket	Taupe	1 Unit		
904739	CDP-WR-YB	Wide Round Decorative Picket	Yard Bronze	1 Unit		



PRODUCTS MAY NOT BE EXACTLY AS ILLUSTRATED

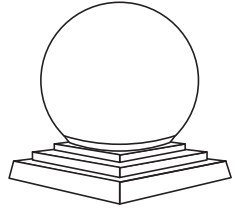
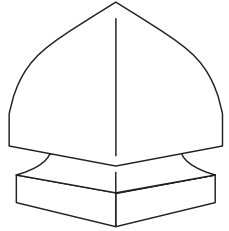
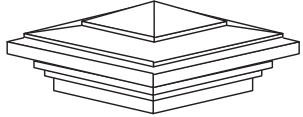
Classic
ALUMINUM RAILING SYSTEMS
PH: 1-604-952-4290
FAX: 1-604-952-4291

SPECIAL ORDER SALES
SOS Item #: (see pages)
Lead Time: 14 days

DECORATIVE ALUMINUM POST CAPS



Decorative Post Caps - For Classic Aluminum Railing System

SOS #	Vendor Model	Description	Colour	Qty	SOS Price	
904784	CDPC-B-0W	Ball Post Cap	White	1 Unit		
904789	CDPC-B-BL	Ball Post Cap	Black	1 Unit		
904783	CDPC-B-TP	Ball Post Cap	Taupe	1 Unit		
904785	CDPC-B-YB	Ball Post Cap	Yard Bronze	1 Unit		
904794	CDPC-P-0W	Pyramid Post Cap	White	1 Unit		
904781	CDPC-P-BL	Pyramid Post Cap	Black	1 Unit		
904790	CDPC-P-TP	Pyramid Post Cap	Taupe	1 Unit		
904800	CDPC-P-YB	Pyramid Post Cap	Yard Bronze	1 Unit		
904791	CDPC-T-0W	Tower Post Cap	White	1 Unit		
904798	CDPC-T-BL	Tower Post Cap	Black	1 Unit		
904795	CDPC-T-TP	Tower Post Cap	Taupe	1 Unit		
904787	CDPC-T-YB	Tower Post Cap	Yard Bronze	1 Unit		



PYRAMID

TOWER

BALL

PRODUCTS MAY NOT BE EXACTLY AS ILLUSTRATED



PH: 1-604-952-4290
FAX: 1-604-952-4291

**SPECIAL
ORDER
SALES**

SOS Item #: (see pages)
Lead Time: 14 days

ASSEMBLY PARTS



Classic Railing Assembly Parts

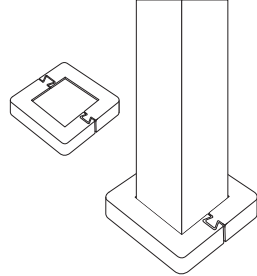

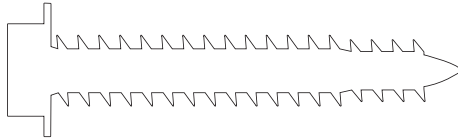
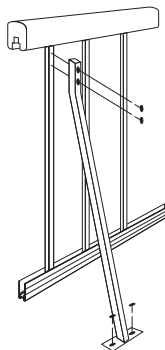
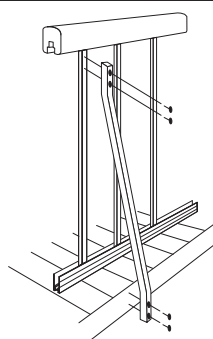
SOS #	Vendor Model	Description	Colour	Qty	SOS Price	
904859	CUB-0W	Universal Angle Bracket	White	1 Set		
904860	CUB-BL	Universal Angle Bracket	Black	1 Set		
935450	CUB-TP	Universal Angle Bracket	Taupe	1 Set		
904861	CUB-YB	Universal Angle Bracket • To accommodate stairs and angles • Fasteners sold separately	Yard Bronze	1 Set		
904863	CWB-0W	Top & Bottom Wall Brackets	White	1 Set		
904864	CWB-BL	Top & Bottom Wall Brackets	Black	1 Set		
904865	CWB-TP	Top & Bottom Wall Brackets	Taupe	1 Set		
904866	CWB-YB	Top & Bottom Wall Brackets • For attaching Regal Aluminum Railing top and bottom rails to an existing structure • Fasteners sold separately	Yard Bronze	1 Set		
904947	CSL-0W	Stair Rail Support Leg	White	1 Unit		
904948	CSL-BL	Stair Rail Support Leg	Black	1 Unit		
904949	CSL-TP	Stair Rail Support Leg	Taupe	1 Unit		
904950	CSL-YB	Stair Rail Support Leg • For stair runs over 4ft • For horizontal bottom rail support if required • For glass panels 48" W and larger • Fasteners sold separately	Yard Bronze	1 Unit		
904855	CTP-0W	Touch-Up Pen (10ml)	White	1 Unit		
904856	CTP-BL	Touch-Up Pen (10ml)	Black	1 Unit		
904857	CTP-TP	Touch-Up Pen (10ml)	Taupe	1 Unit		
904858	CTP-YB	Touch-Up Pen (10ml)	Yard Bronze	1 Unit		
904894	RS4-6-0W	4" Spacers (6 pack)	White	1 pkg		
904895	RS4-6-BL	4" Spacers (6 pack)	Black	1 pkg		
904896	RS4-6-TP	4" Spacers (6 pack)	Taupe	1 pkg		
904897	RS4-6-YB	4" Spacers (6 pack)	Yard Bronze	1 pkg		

PRODUCTS MAY NOT BE EXACTLY AS ILLUSTRATED

Classic
ALUMINUM RAILING SYSTEMS
PH: 1-604-952-4290
FAX: 1-604-952-4291

SPECIAL ORDER SALES
SOS Item #: (see pages)
Lead Time: 14 days

ASSEMBLY PARTS
LOWE'S
Home Improvement Warehouse

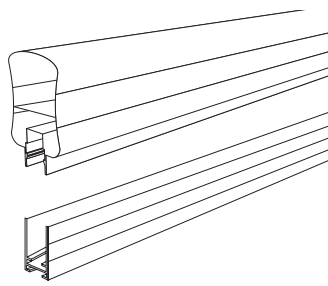
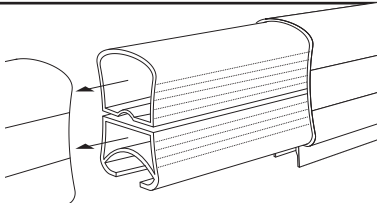
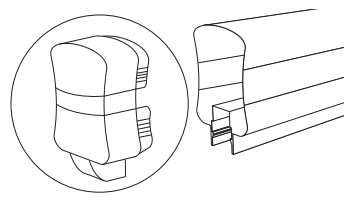
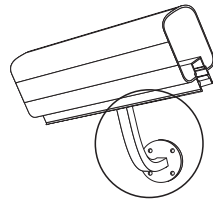
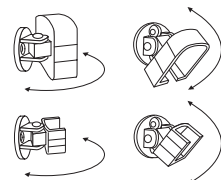
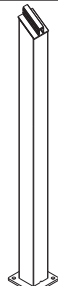
Classic Railing Assembly Parts					
SOS #	Vendor Model	Description	Colour	Qty	SOS Price
904737	CBC-0W	Post Base Plate Cover	White	1 Unit	
904730	CBC-BL	Post Base Plate Cover	Black	1 Unit	
904727	CBC-TP	Post Base Plate Cover	Taupe	1 Unit	
904733	CBC-YB	Post Base Plate Cover	Yard Bronze	1 Unit	
904908	CS-50-0W	#10 x 3/4" Self Drilling Screws	White	50/pkg	
904909	CS-50-BL	#10 x 3/4" Self Drilling Screws	Black	50/pkg	
904911	CS-50-TP	#10 x 3/4" Self Drilling Screws	Taupe	50/pkg	
904910	CS-50-YB	#10 x 3/4" Self Drilling Screws	Yard Bronze	50/pkg	
904807	CL-24-0W	#14 x 2 1/2" Lag Screws	White	24/pkg	
904810	CL-24-BL	#14 x 2 1/2" Lag Screws	Black	24/pkg	
904806	CL-24-TP	#14 x 2 1/2" Lag Screws	Taupe	24/pkg	
904809	CL-24-YB	#14 x 2 1/2" Lag Screws	Yard Bronze	24/pkg	
904822	CIB-0W	Inside Railing Brace	White	1 Unit	
904823	CIB-BL	Inside Railing Brace	Black	1 Unit	
904824	CIB-TP	Inside Railing Brace	Taupe	1 Unit	
904825	CIB-YB	Inside Railing Brace	Yard Bronze	1 Unit	
		<ul style="list-style-type: none"> Complete with fasteners for mounting on pickets or posts 			
904826	COB-0W	Outside Railing Brace	White	1 Unit	
904827	COB-BL	Outside Railing Brace	Black	1 Unit	
904828	COB-TP	Outside Railing Brace	Taupe	1 Unit	
904829	COB-YB	Outside Railing Brace	Yard Bronze	1 Unit	
		<ul style="list-style-type: none"> Complete with fasteners for mounting on pickets or posts 			

PRODUCTS MAY NOT BE EXACTLY AS ILLUSTRATED

Classic
ALUMINUM RAILING SYSTEMS
PH: 1-604-952-4290
FAX: 1-604-952-4291

SPECIAL ORDER SALES
SOS Item #: (see pages)
Lead Time: 14 days

HANDRAIL SYSTEM
LOWE'S
Home Improvement Warehouse

Stair HandRail System					
SOS #	Vendor Model	Description	Colour	Qty	SOS Price
904902	STBR-12-0W	12' o/c Stair Top & Bottom Rails	White	1 Set	
904903	STBR-12-BL	12' o/c Stair Top & Bottom Rails	Black	1 Set	
904904	STBR-12-TP	12' o/c Stair Top & Bottom Rails	Taupe	1 Set	
904905	STBR-12-YB	12' o/c Stair Top & Bottom Rails	Yard Bronze	1 Set	
		<ul style="list-style-type: none"> Use with UAB and/or in-line post Actual length: 141" 			
904906	STBR-CS	Continuous Stair Top Rail Connecting Splice	NA	1 Unit	
904898	SHRC-0W	End Cap for Stair Top Rail	White	1 Unit	
904899	SHRC-BL	End Cap for Stair Top Rail	Black	1 Unit	
904900	SHRC-TP	End Cap for Stair Top Rail	Taupe	1 Unit	
904901	SHRC-YB	End Cap for Stair Top Rail	Yard Bronze	1 Unit	
		<ul style="list-style-type: none"> Used to cap the ends of Regal Aluminum stair top rail (STBR stair handrail) Fasteners sold separately 			
904878	HRB-0W	Hand Rail Bracket	White	1 Unit	
904879	HRB-BL	Hand Rail Bracket	Black	1 Unit	
904880	HRB-TP	Hand Rail Bracket	Taupe	1 Unit	
904881	HRB-YB	Hand Rail Bracket	Yard Bronze	1 Unit	
		<ul style="list-style-type: none"> Used to attach top rail or stair top rail (graspable) to wall or post Fasteners sold separately 			
904970	UAB-0W	Universal Angle Bracket	White	1 Set	
904971	UAB-BL	Universal Angle Bracket	Black	1 Set	
904972	UAB-TP	Universal Angle Bracket	Taupe	1 Set	
904973	UAB-YB	Universal Angle Bracket	Yard Bronze	1 Set	
		Set includes one Top and one Bottom bracket			
904959	ILSP-0W	In-Line Stair Post	White	1 Unit	
904960	ILSP-BL	In-Line Stair Post	Black	1 Unit	
904961	ILSP-TP	In-Line Stair Post	Taupe	1 Unit	
904962	ILSP-YB	In-Line Stair Post	Yard Bronze	1 Unit	
		<ul style="list-style-type: none"> Undermount post to attach Top rail between top and bottom of stairs Includes bottom UAB bracket 			

PRODUCTS MAY NOT BE EXACTLY AS ILLUSTRATED

Classic
ALUMINUM RAILING SYSTEMS
PH: 1-604-952-4290
FAX: 1-604-952-4291

SPECIAL ORDER SALES
SOS Item #: (see pages)
Lead Time: 14 days

TEMPERED GLASS PANELS

Tempered Glass Panels 35 7/8" H x 1/4" T (6mm)

SOS #	Vendor Model	Description	Qty	SOS Price	
<p>Clear Glass Panel Sizes (Width):</p>					<p>(CTG) CLEAR GLASS PANELS</p> <p>GRB10: Insert blocks 1" in from edge of glass panel. Insert rubber blocks (2 per panel) in bottom insert only.</p> <p>(CDG6) HORIZONTAL 7 1/4" GLASS PANELS</p> <p>(CAG6) STAIR ANGLED 6" GLASS PANELS</p> <p>Comes with spacers and inserts.</p> <p>CSL must be used when installing CAG-6</p>
904766	CTG-6	6" Tempered Glass Panel	1 Panel		
904770	CTG-9	9" Tempered Glass Panel	1 Panel		
904750	CTG-12	12" Tempered Glass Panel	1 Panel		
904751	CTG-15	15" Tempered Glass Panel	1 Panel		
904752	CTG-18	18" Tempered Glass Panel	1 Panel		
904753	CTG-21	21" Tempered Glass Panel	1 Panel		
904754	CTG-24	24" Tempered Glass Panel	1 Panel		
904755	CTG-27	27" Tempered Glass Panel	1 Panel		
904756	CTG-30	30" Tempered Glass Panel	1 Panel		
904757	CTG-33	33" Tempered Glass Panel	1 Panel		
904758	CTG-36	36" Tempered Glass Panel	1 Panel		
904759	CTG-39	39" Tempered Glass Panel	1 Panel		
904760	CTG-42	42" Tempered Glass Panel	1 Panel		
904761	CTG-45	45" Tempered Glass Panel	1 Panel		
904762	CTG-48	48" Tempered Glass Panel	1 Panel		
904763	CTG-51	51" Tempered Glass Panel	1 Panel		
904764	CTG-54	54" Tempered Glass Panel	1 Panel		
904765	CTG-57	57" Tempered Glass Panel	1 Panel		
904767	CTG-60	60" Tempered Glass Panel	1 Panel		
904768	CTG-63	63" Tempered Glass Panel	1 Panel		
904769	CTG-66	66" Tempered Glass Panel	1 Panel		
935449	CDG-6	Horizontal 7 1/4" Glass Panels • For 6' railing section	6/pkg		
904939	CAG-6	Stair Angled 6" Glass Panels • For 6' stair section • Designed for 35 degree stairs (+/- 2 degrees)	6/pkg		

SOS #	Vendor Model	Description	Qty	SOS Price	
904867	GVIL	Vinyl Insert for Tempered Glass	1 set		<p>GVIL</p> <p>GRB-10</p>
904830	CRB-10	Rubber Blocks	10/pkg		

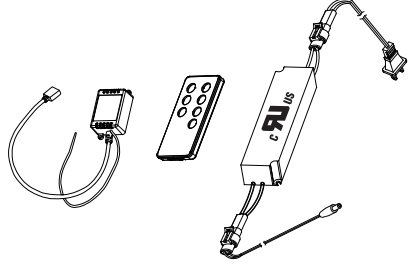
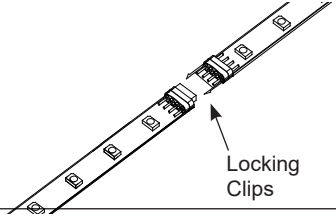
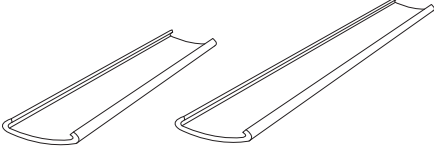
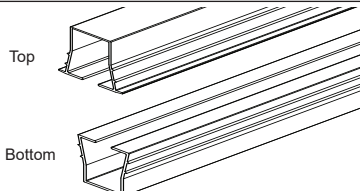
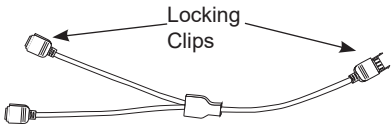
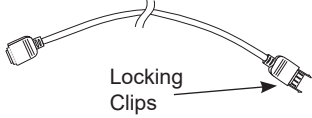
PRODUCTS MAY NOT BE EXACTLY AS ILLUSTRATED

*Regal warranty invalid unless genuine Regal Ideas components / glass are used.

Classic
ALUMINUM RAILING SYSTEMS
PH: 1-604-952-4290
FAX: 1-604-952-4291

SPECIAL ORDER SALES
SOS Item #: (see pages)
Lead Time: 14 days

LED LIGHTING SYSTEM
LOWE'S
Home Improvement Warehouse

SOS #	Vendor Model	Description	Qty	SOS Price	
904885	LED-C	<p>LED Lighting Control Pack</p> <ul style="list-style-type: none"> • Compact size low voltage LED control unit for easy placement inside Regal Aluminum Railing posts • Compact RF remote control unit • Includes 20ft power cord • Remote control unit provides 3 color and 3 brightness settings <p><i>Note: One Power Supply will run a maximum of 10 LED strips (approx 60ft.)</i></p>	1 Unit		
904887	LED-L	<p>LED Lighting Strips - 78" (2m)</p> <ul style="list-style-type: none"> • 78" encapsulated LED strips for 6' railing sections (pickets and/or glass) • 120 LED lights per section 	1 Unit		
904888	LED-P	<p>LED Clear Spacers -For Picket System</p> <ul style="list-style-type: none"> • 15 clear spacers for lighting 6' picket railing section 	1 Pkg		
904891	LED-SP	<p>LED Clear Stair Spacers -For Stair Picket System</p> <ul style="list-style-type: none"> • 13 clear spacers for lighting 6' picket stair railing section 	1 Pkg		
904886	LED-G	<p>LED Glass Gasket - 6' o/c</p> <p><i>-For Glass Panel System</i></p> <ul style="list-style-type: none"> • 6' o/c glass gasket for lighting 6' glass railing section (actual length: 69") 	1 Pkg		 <p>Top</p> <p>Bottom</p>
904892	LED-T	<p>LED Splitter Cord</p> <ul style="list-style-type: none"> • Used to run LED lighting in 2 directions using the same power supply 	1 Unit		
904889	LED-PC	<p>LED Patch Cord</p> <ul style="list-style-type: none"> • 13ft Patch Cord used to connect LED strips when railing is not continuous. (eg. for stairway opening) 	1 Unit		

PRODUCTS MAY NOT BE EXACTLY AS ILLUSTRATED



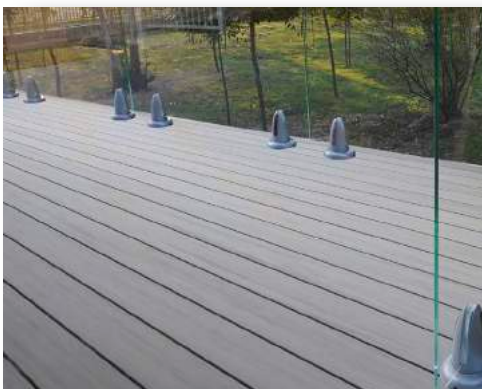
Defining a new Standard in Outdoor Living Luxury



Our 10mm **CrystalRail®** tempered glass panels are 98% free of Iron which produces a crystal clear glass panel with clarity you have never seen before.

FEATURES:

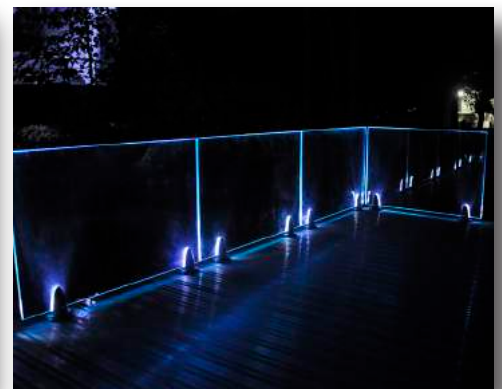
- Glass mounting brackets include pre-installed LED's that light up your glass panels at night.
- White No Iron Tempered Glass Stair Panels are also available.
- Conforms to code specifications in U.S. and Canada.
- See your local Regal ideas Dealer for glass panel sizes.
- Stair Glass and Pool Rail panels also available.
- DIY friendly, install this system in one day.



No-Iron **Crystal Rail®** Glass Panels are so clear, you will not even know they are there.



Powered LED bases and crystal clear tempered glass, provide the perfect evening ambiance.



Pure Glass.. pure Class. **Crystal Rail®** defines the ultimate in outdoor glass system.

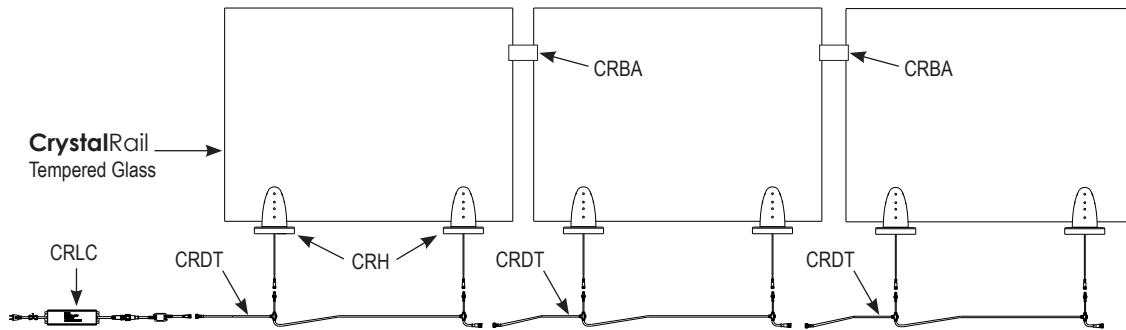
Classic
ALUMINUM RAILING SYSTEMS
PH: 1-604-952-4290
FAX: 1-604-952-4291

SPECIAL ORDER SALES
SOS Item #: (see pages)
Lead Time: 14 days

CrystalRail
LOWE'S
Home Improvement Warehouse

Features:

- The stunning clarity of Regal Ideas White No Iron Tempered Glass panels make it the obvious choice for homeowners that want an unobstructed view.
- Conforms to code specifications in U.S. and Canada.
- Tempered Glass contains no iron which produces a crystal clear glass panel with clarity like you have never seen before.
- Glass Mounting brackets include pre-installed LED's that can light up your glass panels at night.



Crystal Rail Horizontal & Stair Glass Mounts

SOS#	Code	Description	Qty	Price	
904843	CRH-SA	Horizontal Glass Mount with LED • To hold No Iron tempered glass panels (CRG) • c/w internal leveling angle adjustments • c/w white LED light inside mount	1 unit		
904844	CRHS-SA	Stair Horizontal Glass Mount • To hold No Iron tempered glass panels (CRSG) on stairs • c/w internal leveling angle adjustments • c/w white LED light inside mount Color: Satin Aluminum IMPORTANT: Must be fastened using mounting plates and bolts found on page 12 LED Controller Kit and additional components required to operate LED (see below)	1 unit		

LED Controller and Components

SOS#	Code	Description	Qty	Price	
904846	CRLC	LED Controller • For use with Crystal Rail glass mounts • Max 40 glass mounts per controller • Includes Remote Control	1 unit		
904835	CRDT	Double-T Splitter Connection Cord • 78" (2 meter) cord • Connects power to LED's • One required for each glass section (per 2 mounts)	1 unit		

PRODUCTS MAY NOT BE EXACTLY AS ILLUSTRATED

*Regal warranty invalid unless genuine Regal Ideas components / glass are used.

Classic
ALUMINUM RAILING SYSTEMS
PH: 1-604-952-4290
FAX: 1-604-952-4291

SPECIAL ORDER SALES
SOS Item #: (see pages)
Lead Time: 14 days

CrystalRail
LOWE'S
Home Improvement Warehouse

White No Iron Tempered Glass Panels - 3/8" (10mm) Thickness					
SOS#	Code	Description	Qty	Price	
904836	CRG24	24" x 40" H White No Iron Clear Panel	1 panel		
904837	CRG30	30" x 40" H White No Iron Clear Panel	1 panel		
904838	CRG36	36" x 40" H White No Iron Clear Panel	1 panel		
904839	CRG42	42" x 40" H White No Iron Clear Panel	1 panel		
904840	CRG48	48" x 40" H White No Iron Clear Panel	1 panel		
904841	CRG54	54" x 40" H White No Iron Clear Panel	1 panel		
904842	CRG60	60" x 40" H White No Iron Clear Panel	1 panel		

White No Iron Tempered for 35° Stair Glass Panels (Note: for use on 35° angle)					
SOS#	Code	Description	Qty	Price	
904944	CRSG03	10mm Angled glass for 3 steps (29 1/2" Width)	1 panel		
904945	CRSG04	10mm Angled glass for 4 steps (40" Width)	1 panel		
904946	CRSG05	10mm Angled glass for 5 steps (50 1/2" Width)	1 panel		

White No Iron Tempered Glass for Pool Rail/Wind Wall Applications					
SOS#	Code	Description	Qty	Price	
904840	CRG48	48" x 40" White No Iron Tempered Glass • Can be installed on end to achieve 50" height when 48" (min) is required	1 panel		
904842	CRG60	60" x 40" White No Iron Tempered Glass • Can be installed on end to achieve 62" height when 60" (min) is required NOTE: Wind Wall/Pool Railing designed for ground level applications only	1 panel		

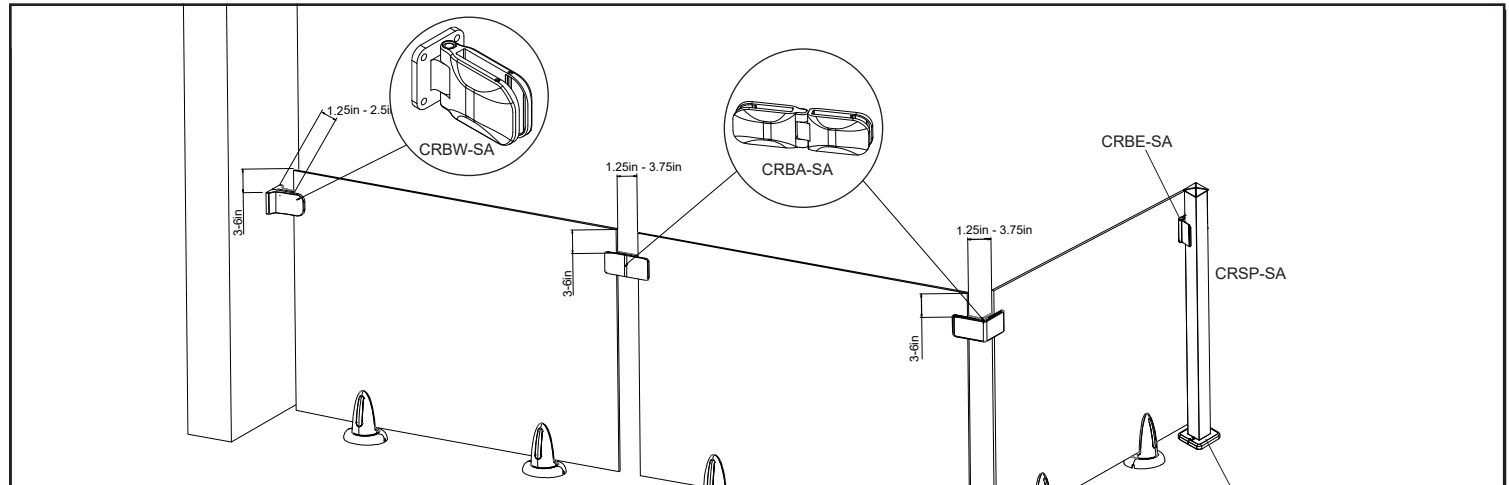
Vacuum Cup					
SOS#	Code	Description	Qty	Price	
904862	CVC	Vacuum Cup • Vacuum tool for easier moving and handling of 3/8" (10mm) glass panels (2 required)	1 unit		

PRODUCTS MAY NOT BE EXACTLY AS ILLUSTRATED

Classic
ALUMINUM RAILING SYSTEMS
PH: 1-604-952-4290
FAX: 1-604-952-4291

SPECIAL ORDER SALES
SOS Item #: (see pages)
Lead Time: 14 days

CrystalRail
LOWE'S
Home Improvement Warehouse



Features:

- Bracing Clips and Supports are required for Building Code approval.
- Keeps glass panels aligned at the top and corners at 90° angles.
- Attach to glass using 2 part epoxy.
- Install 6" from top of glass panel.

**Download Installation Instructions at regalideas.com/downloads

Crystal Rail Bracing Clips and Support

SOS#	Code	Description	Qty	Price	
904833	CRBW-SA	Adjustable Wall Bracing Clip <ul style="list-style-type: none"> • To secure 10mm CrystalRail Tempered Glass panel to Wall. • Made from 100% aluminum and powder coated in a Satin Aluminum finish. 	1 unit		
935444	CRBA-SA	Adjustable Angle and Line Clip <ul style="list-style-type: none"> • Secures two CrystalRail Tempered Glass panels together. Used in-line or on corners. • Made from 100% aluminum and powder coated in a Satin Aluminum finish. 	1 unit		
935445	CRSP-SA	End Bracing Support <ul style="list-style-type: none"> • Provides support to CrystalRail Tempered Glass panel that is open on one side (i.e. stair opening). • Also used to attach ADA handrail down steps when using CrystalRail on a stair application. • To be used with CRBE-SA and HSF-SA clip/bracket. • Made from 100% aluminum and powder coated in a Satin Aluminum finish. 	1 unit		
904831	CRBC-SA	Base Plate Cover for Support Post <ul style="list-style-type: none"> • Two piece cast aluminum base plate cover. • Wraps post base to hide fasteners and provide a more finished appearance. • Made from 100% aluminum and powder coated in a Satin Aluminum finish. 	1 unit		
904832	CRBE-SA	End Bracing Clip <ul style="list-style-type: none"> • Bracing clip to connect Crystal Rail glass panels to end support post at end section of horizontal glass. • Made from 100% aluminum and powder coated in a Satin Aluminum finish. <p>Color: Satin Aluminum</p>	1 unit		

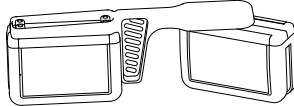
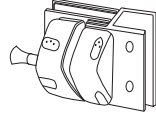
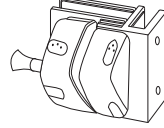
PRODUCTS MAY NOT BE EXACTLY AS ILLUSTRATED

Classic
ALUMINUM RAILING SYSTEMS
PH: 1-604-952-4290
FAX: 1-604-952-4291

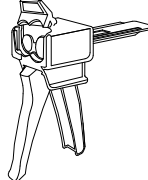
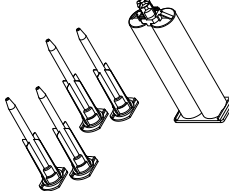
SPECIAL ORDER SALES
SOS Item #: (see pages)
Lead Time: 14 days

CrystalRail
LOWE'S
Home Improvement Warehouse

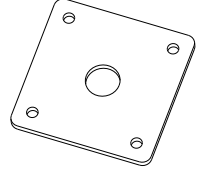


Crystal Rail Gate Parts

SOS#	Code	Description	Qty	Price	
935446	CRGH-SA	Gate Hinge Set • Durable hinge set used to hold the Crystal Rail Glass panel for the gate (max panel size: 42"W)	1 pair		
904845	CRIL-SA	Magnetic In-line Gate Latch • Magnetic in-line latching system • For use in horizontal in-line gates	1 unit		
904834	CRCL-SA	Magnetic Corner Gate Latch • Adjustable magnetic corner gate latching system • For use in 90° corner gates	1 unit		

2 Part Acrylic Adhesive

SOS#	Code	Description	Qty	Price	
935447	CRGG	Glue Dispenser • Applicator for 2 part acrylic adhesive. • Used to adhere Crystal Rail bracing clips to glass.	1 unit		
935448	CREG	2 Part Acrylic Adhesive • Used to adhere Crystal Rail bracing clips to glass. Includes glue tube with mixer tips and 4 needle tips.	1 pkg		

Fasteners for Crystal Rail

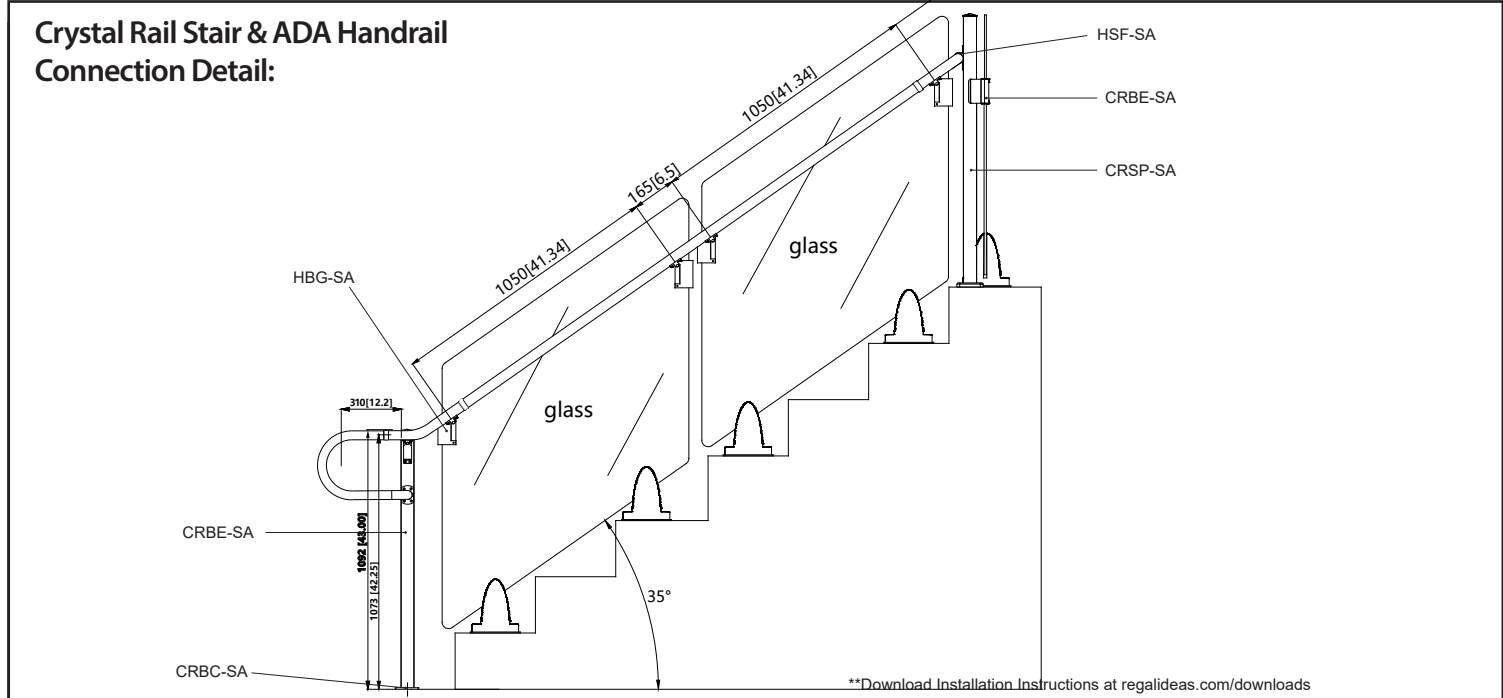
SOS#	Code	Description	Qty	Price	
904813	MP5	5" Aluminum Bolt-Through Mounting Plate • For Crystal Rail • Mill finish aluminum	1 unit		
935455	MB6	3/8" x 6" Structural Bolt • For use with MP4, MP5 and MP6 mounting plates. • Hot dipped galvanized	4/pkg		
935456	MBC	4" SS Concrete Anchors	4/pkg		

*Regal warranty invalid unless genuine Regal Ideas components / glass are used.

Classic
ALUMINUM RAILING SYSTEMS
PH: 1-604-952-4290
FAX: 1-604-952-4291

SPECIAL ORDER SALES
SOS Item #: (see pages)
Lead Time: 14 days

Handrail for Crystal Rail



Parts Required For Attaching ADA Handrail to Crystal Rail


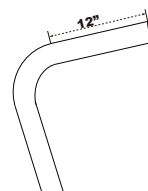

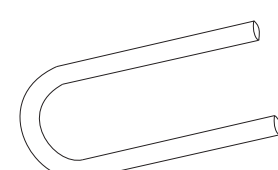
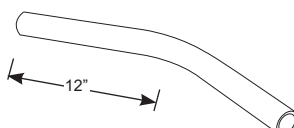
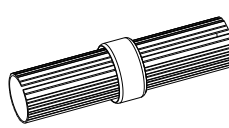
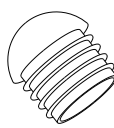
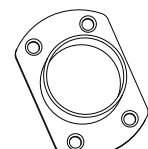
SOS#	Code	Description	Qty	Price	
904869	HBG-SA	10mm Glass Bracket • To attach hand/stair rail to Crystal rail 10mm glass • WCS-50-SA screws required to attach handrail to HBG-SA bracket (sold separately)	1 unit		
935451	HGC-SA	Epoxy Mounted Handrail Bracket • Attaches ADA Handrail bracket to mid-span of glass with acrylic adhesive (CREG and CRGG sold separately). • Used with Crystal Rail stair glass where handrail brackets are required to be placed 4ft or less apart.	1 unit		
935452	HSF-SA	Handrail Sleeve Fitting • Sleeve fitting attaches handrail to end support post when using ADA handrail with Crystal Rail stair glass. • WCS-50-SA screws required (sold separately).	1 unit		
935453	WCS-50-SA	#10 x 3/4" Self Drilling Screws • For metal connections • Color: Satin Aluminum	50/pkg		
935454	SCP-24-SA	#14 x 2 1/2" Lag Screws • Used with posts and wall brackets • Color: Satin Aluminum • For use in wood	24/pkg		
904893	MB3	3/8" x 2 3/4" Structural Bolt c/w nut • To mount CRHS Pods through stair treads • Hot dipped galvanized	24/pkg		

Classic
ALUMINUM RAILING SYSTEMS
PH: 1-604-952-4290
FAX: 1-604-952-4291

SPECIAL ORDER SALES
SOS Item #: (see pages)
Lead Time: 14 days

Handrail for CrystalRail


Stair Rail Components

SOS#	Code	Description	Qty	Price	
904877	HR08-SA	8ft Hand/Stair Rail • 1 1/2" OD Hand/Stair rail	1 unit		
904872	HCR-SA	90° Corner/Return Rail Section • To accommodate 90° corner or ground return • A picket or post bracket must be used at each seam of rail to rail connections when used as a corner	1 unit		
904883	HW90-SA	90° Wall Return • V [A&& { { [a&e A>A^C !} A d A d A ! A [• c	1 unit		
904876	HLR-SA	Handrail Loop Return	1 unit		
904873	HE35-SA	35° Elbow • Connects 180° handrail return to hand/stair rail on stair applications	1 unit		
904882	HSC-SA	Rail Splice and Cap • 6" splice to connect sections of hand/stair rail • Requires four (4) WCS-50-SA (sold separately)	1 unit		
904875	HEC-SA	End Rail Cap • End cap for rails	1 unit		
904884	HWC-SA	Handrail Wall/Post Return Connector	1 unit		

PRODUCTS MAY NOT BE EXACTLY AS ILLUSTRATED

QuickKit®

ADA COMPLIANT HANDRAIL SYSTEM



Accessibility with style and comfort

ADA HAND/STAIR RAILING

FEATURES:

- Provides a continuous graspable surface throughout its entire length.
- Provides added safety and security to any stair or ramp.
- Constructed of high strength aluminum alloys that will never rust.
- Conforms to code specifications in the U.S. and Canada.
- Does NOT require any welding or special fabrication.
- Easy to install component system.
- Also used as a hand/stair rail for Crystal Rail System.

Regal ideas offers a complete aluminum Hand/Stair rail solution that is ADA compliant and easy to install!



HSC
Rail Splice



HAC
Adjustable Angle



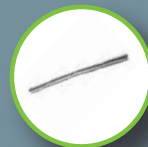
HBP
Picket Bracket



HBW
Wall/Post Bracket



HCR
90° Corner



HE5
5° Elbow



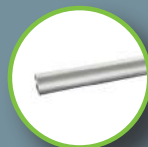
HE35
35° Elbow



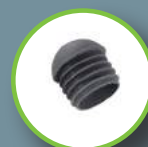
HW90
90° Wall Return



HLR
Loop Return



HR8
Hand/Stair Rail



HEC
End Rail Cap



HWC
Wall Connector



Colour: Anodized Satin Aluminum



White Aluminum Railing with Anodized Satin Aluminum ADA Handrail

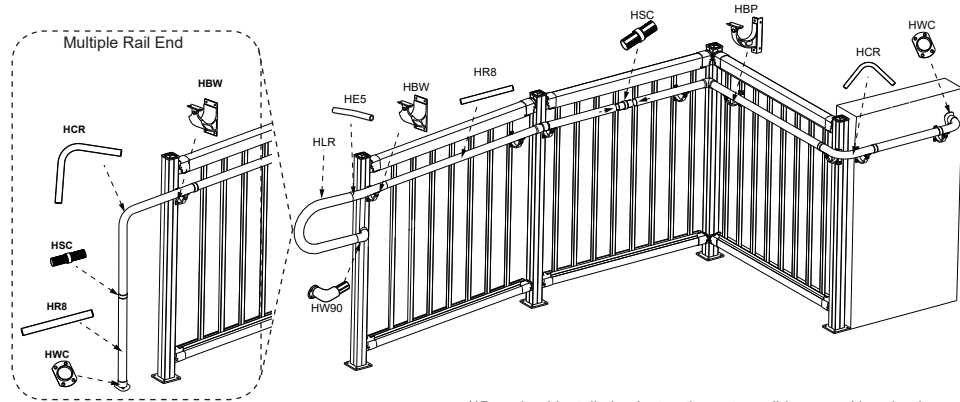
Classic
ALUMINUM RAILING SYSTEMS
PH: 1-604-952-4290
FAX: 1-604-952-4291

SPECIAL ORDER SALES
SOS Item #: (see pages)
Lead Time: 14 days

ADA Secondary Rail
ADA COMPLIANT HAND RAIL
Lowe's Home Improvement Warehouse

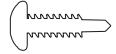
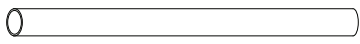
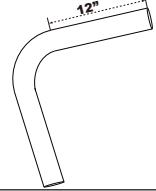
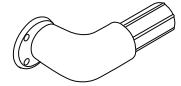
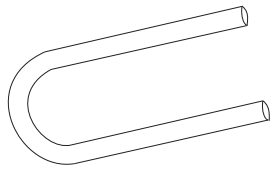
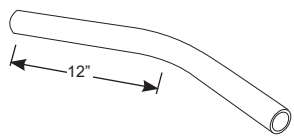
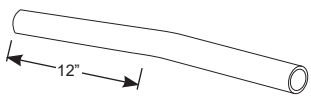
Features:

- Regal ideas offers a complete aluminum Hand/Stair rail solution (ADA Compliant).
- Easy to install and conforms to code specifications in the U.S. and Canada.
- Provides added safety and security to any stair or ramp.
- Used as hand rail/stair rail for Crystal Rail system.



**Download Installation Instructions at regalideas.com/downloads

Hand/Stair Rail Components

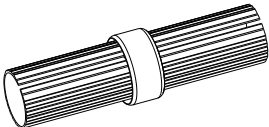
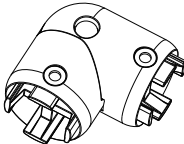
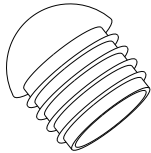
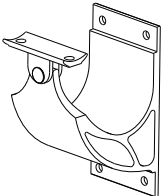
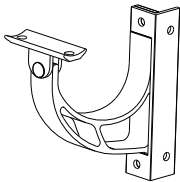
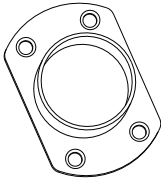
SOS#	Code	Description	Qty	Price	
	WCS-50-SA	#10 x 3/4" Self Drilling Screws • For fastening components together • Satin Aluminum color	50/pkg		
904877	HR08-SA	8ft Hand/Stair Rail • 1 1/2" OD Hand/Stair rail	1 unit		
904872	HCR-SA	90° Corner/Return Rail Section • To accommodate 90° corner or ground return • A picket or post bracket must be used at each seam of rail to rail connections when used as a corner	1 unit		
904883	HW90-SA	90° Wall Return • To accommodate 90° return into wall or post	1 unit		
904876	HLR-SA	Handrail Loop Return • 180° return to finish handrail system • A wall return is used one end to attach to post of wall • 35° elbow required for stairs, 5° elbow required for ramps	1 unit		
904873	HE35-SA	35° Elbow • Connects 180° handrail return to hand/stair rail on stair applications	1 unit		
904874	HE5-SA	5° Elbow • Connects 180° handrail return to handrail on ramp applications	1 unit		

PRODUCTS MAY NOT BE EXACTLY AS ILLUSTRATED

Classic
ALUMINUM RAILING SYSTEMS
PH: 1-604-952-4290
FAX: 1-604-952-4291

SPECIAL ORDER SALES
SOS Item #: (see pages)
Lead Time: 14 days

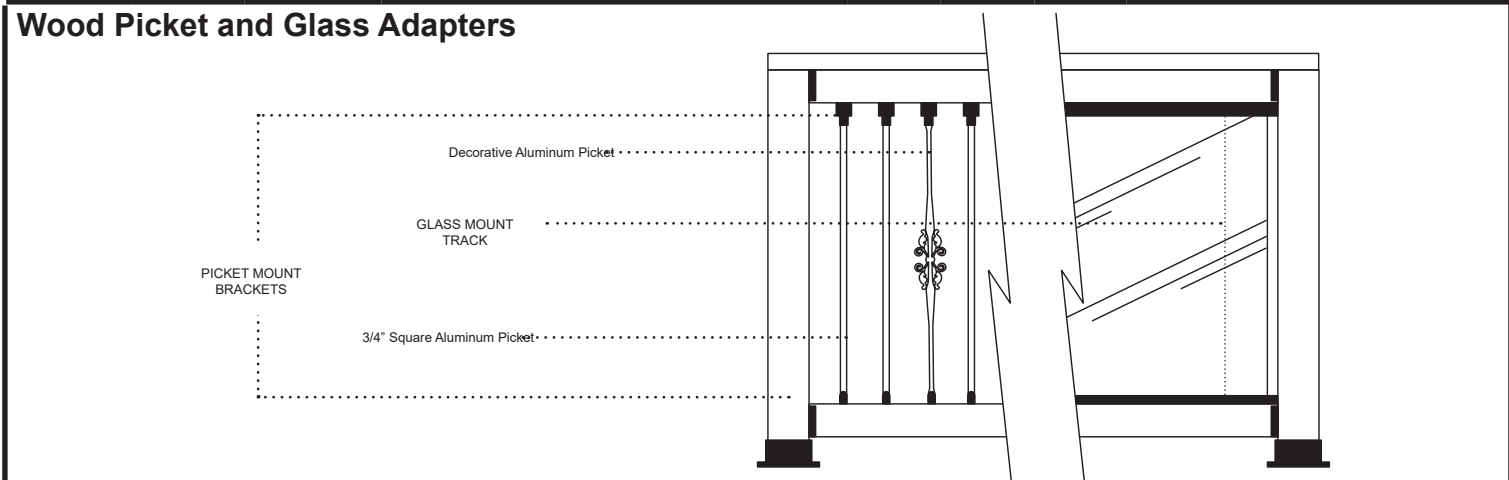
ADA Secondary Rail


Hand/Stair Rail Components					
Code	Description	Qty	Price		
904882	HSC-SA Rail Splice and Cap <ul style="list-style-type: none"> • 6" splice to connect sections of hand/stair rail • Requires four (4) WCS-50-SA (sold separately) 	1 unit			
904868	HAC-SA Adjustable Angle Connector <ul style="list-style-type: none"> • Accommodates any corner or angle connection • Requires two(2) WCS-50-SA screws (sold separately) 	1 unit			
904875	HEC-SA End Rail Cap <ul style="list-style-type: none"> • End cap for rails 	1 unit			
904871	HBW-SA Wall/Post Bracket <ul style="list-style-type: none"> • To attach handrail to wall or post • Requires six(6) WCS-50-SA screws (sold separately) 	1 unit			
904870	HBP-SA Picket Bracket <ul style="list-style-type: none"> • To attach handrail to railing picket • Requires six(6) WCS-50-SA screws (sold separately) 	1 unit			
904884	HWC-SA Handrail Wall/Post Return Connector <ul style="list-style-type: none"> • Used to cap the end of the hand rail tube against a wall, post or ground return • Requires four(4) WCS-50-SA screws (sold separately) 	1 unit			

Classic
ALUMINUM RAILING SYSTEMS
PH: 1-604-952-4290
FAX: 1-604-952-4291

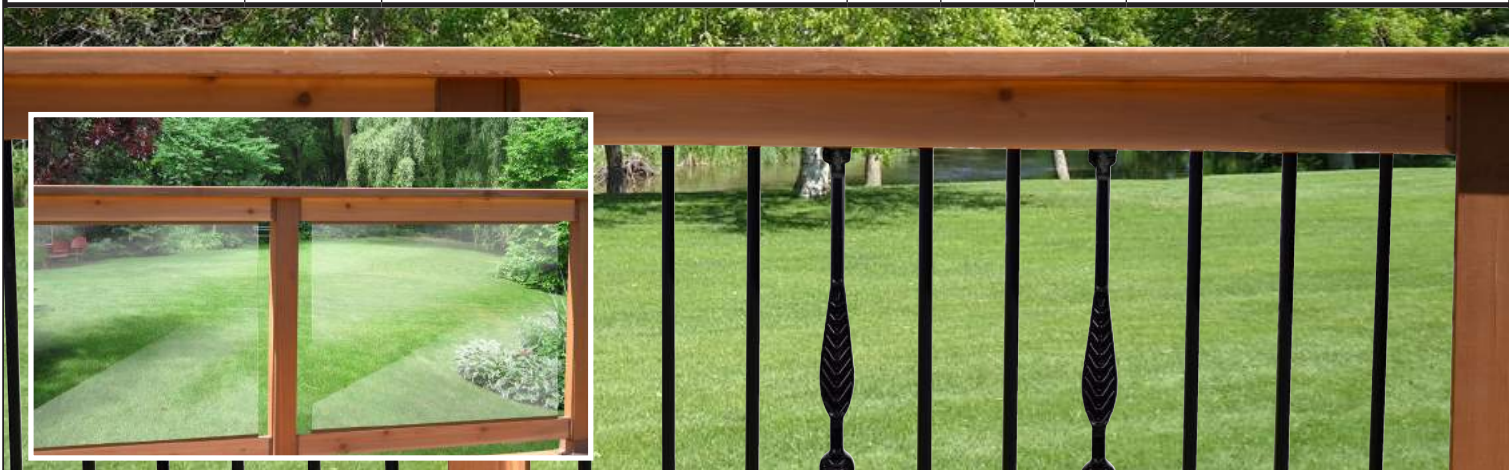
SPECIAL ORDER SALES
SOS Item #: (see pages)
Lead Time: 14 days

WOOD IN-FILL SYSTEM
LOWE'S
Home Improvement Warehouse



Wood Picket and Glass Adapters

SOS #	Vendor Model	Description	Colour	Qty	SOS Price
904776	WPB-BL	Picket Mounting Bracket Set	Black	1 Set	<p>TOP BOTTOM</p>
904777	WPB-YB	Picket Mounting Bracket Set	Yard Bronze	1 Set	
		<ul style="list-style-type: none"> • Powder coat aluminum casting • Accepts any Regal Aluminum Railing 3/4" straight or decorative picket styles • c/w fasteners • Available in Black and Yard Bronze 			
904725	WGT-YB	Glass Mounting Track Set	Yard Bronze	1 Set	<p>Top Bottom</p>
		<ul style="list-style-type: none"> • For wood railing • 68" length, for 6' o/c • Fasteners included 			

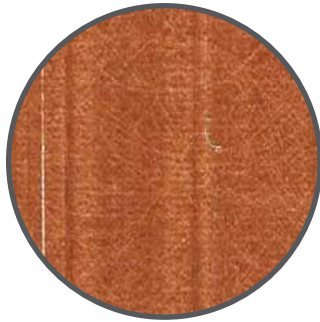


QuickStep®

STAIR TREADS



Slate Gray

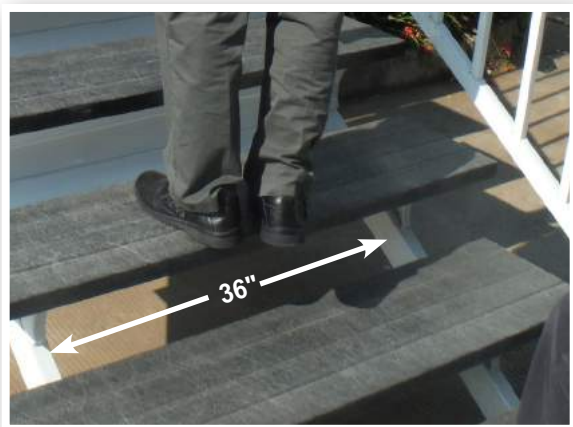


Natural Cedar

STONE WOOD STAIR TREADS

- Made of high strength S-Glass fiber to accommodate up to 36" wide stair stringer spacing.
- Quick undermount attaching hides fasteners.
- No twisting, no expanding, no shrinking.
- Flameproof and waterproof.
- Size: 48"L x 11"D x 1 ½"H
- Available in 2 colours.

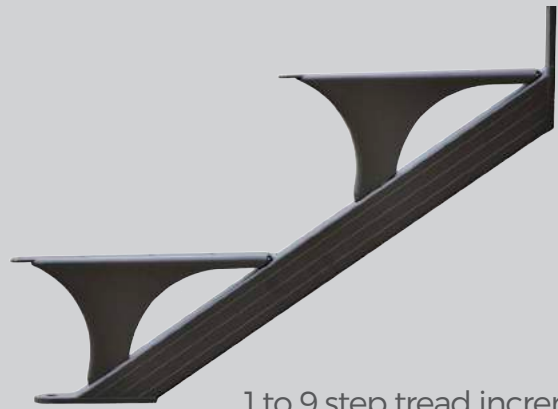
**OVER
4400lbs**
of weight capacity!



QuickStep stair treads shown with QuickStep stair stringers at 36" centers.

QuickStep®

STAIR STRINGERS



1 to 9 step tread increments.

ALUMINUM STAIR STRINGERS

- Easy undermount installation.
- Meets or exceeds Building Code.
- Constructed of high strength never-rust aluminum alloys.
- Premium UV powder coat finish provides maximum durability and low maintenance. (Meets AMA-2603)
- Sold in pairs (2/pkg)
- Rise: 7.5", Run: 10.5"



STAIR STRINGER CONNECTOR KIT



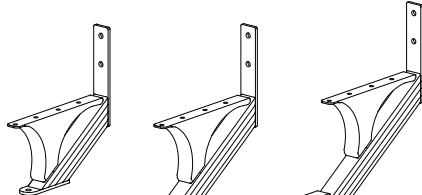
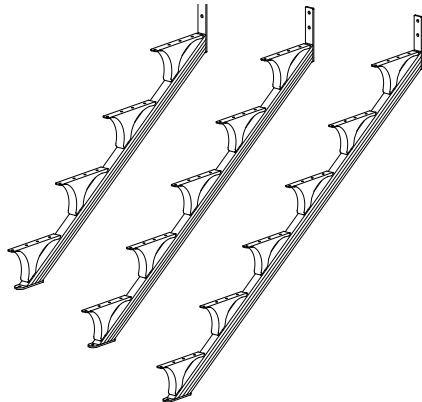
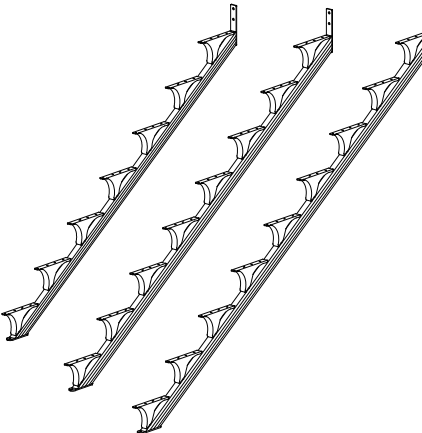
Eliminate the need for a landing and accommodate up to 14 steps with Regal ideas Stair Stringer Connector Kit.

Classic
ALUMINUM RAILING SYSTEMS
PH: 1-604-952-4290
FAX: 1-604-952-4291

SPECIAL ORDER SALES
SOS Item #: (see pages)
Lead Time: 14 days

QUICKSTEP STAIR STRINGERS


Aluminum Stair Stringers (2 per package)

SOS #	Vendor Model	Description	Colour	Qty	SOS Price	
904925	QS1-0W	1 Step Aluminum Stair Stringer	White	2/pkg		
904926	QS1-BL	1 Step Aluminum Stair Stringer	Black	2/pkg		
904916	QS1-YB	1 Step Aluminum Stair Stringer <i>Rise to Deck: 15", Run: 10.5"</i>	Yard Bronze	2/pkg		
904914	QS2-0W	2 Step Aluminum Stair Stringer	White	2/pkg		
904917	QS2-BL	2 Step Aluminum Stair Stringer	Black	2/pkg		
904913	QS2-YB	2 Step Aluminum Stair Stringer <i>Rise to Deck: 22.5", Run: 21"</i>	Yard Bronze	2/pkg		
904921	QS3-0W	3 Step Aluminum Stair Stringer	White	2/pkg		
904912	QS3-BL	3 Step Aluminum Stair Stringer	Black	2/pkg		
904924	QS3-YB	3 Step Aluminum Stair Stringer <i>Rise to Deck: 30", Run: 31.5"</i>	Yard Bronze	2/pkg		
904918	QS4-0W	4 Step Aluminum Stair Stringer	White	2/pkg		
904919	QS4-BL	4 Step Aluminum Stair Stringer	Black	2/pkg		
904915	QS4-YB	4 Step Aluminum Stair Stringer <i>Rise to Deck: 37.5", Run: 42"</i>	Yard Bronze	2/pkg		
904923	QS5-0W	5 Step Aluminum Stair Stringer	White	2/pkg		
904920	QS5-BL	5 Step Aluminum Stair Stringer	Black	2/pkg		
904922	QS5-YB	5 Step Aluminum Stair Stringer <i>Rise to Deck: 45", Run: 52.5"</i>	Yard Bronze	2/pkg		
904929	QS6-0W	6 Step Aluminum Stair Stringer	White	2/pkg		
904937	QS6-BL	6 Step Aluminum Stair Stringer	Black	2/pkg		
904938	QS6-YB	6 Step Aluminum Stair Stringer <i>Rise to Deck: 52.5", Run: 63"</i>	Yard Bronze	2/pkg		
904930	QS7-0W	7 Step Aluminum Stair Stringer	White	2/pkg		
904934	QS7-BL	7 Step Aluminum Stair Stringer	Black	2/pkg		
904936	QS7-YB	7 Step Aluminum Stair Stringer <i>Rise to Deck: 60", Run: 73.5"</i>	Yard Bronze	2/pkg		
904933	QS8-0W	8 Step Aluminum Stair Stringer	White	2/pkg		
904928	QS8-BL	8 Step Aluminum Stair Stringer	Black	2/pkg		
904931	QS8-YB	8 Step Aluminum Stair Stringer <i>Rise to Deck: 67.5", Run: 84"</i>	Yard Bronze	2/pkg		
904935	QS9-0W	9 Step Aluminum Stair Stringer	White	2/pkg		
904932	QS9-BL	9 Step Aluminum Stair Stringer	Black	2/pkg		
904927	QS9-YB	9 Step Aluminum Stair Stringer <i>Rise to Deck: 75", Run: 94.5"</i>	Yard Bronze	2/pkg		

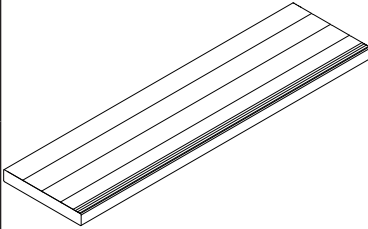
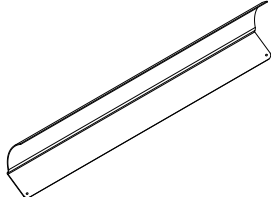
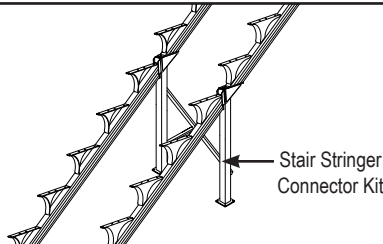
PRODUCTS MAY NOT BE EXACTLY AS ILLUSTRATED

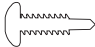

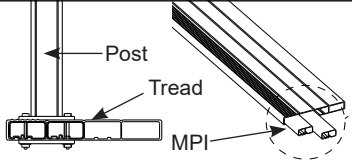
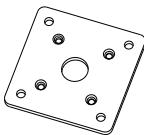
*Regal warranty invalid unless genuine Regal Ideas components / glass are used.

Classic
ALUMINUM RAILING SYSTEMS
PH: 1-604-952-4290
FAX: 1-604-952-4291

SPECIAL ORDER SALES
SOS Item #: (see pages)
Lead Time: 14 days

QUICKSTEP STAIR SYSTEM


Quickstep Stair Treads, Risers and Connector Kits						
SOS #	Vendor Model	Description	Colour	Qty	SOS Price	
904968	QST4-NC	Stone Wood Stair Tread <ul style="list-style-type: none"> Made of high strength S-Glass fiber to accommodate up to 36" wide stair stringer spacing Quick undermount attaching hides fasteners 	Natural Cedar	1 Unit		
904969	QST4-SG	<ul style="list-style-type: none"> Can be cut to any length Colors: Natural Cedar, Slate Gray Size: 48"L x 11"D x 1 1/2"H Fasteners and MPI insert sold separately 	Slate Gray	1 Unit		
904967	QSR4-0W	Stair Riser Cover <ul style="list-style-type: none"> Aluminum riser cover Attaches easily to close in back of stair 	White	1 Unit		
935457	QSR4-BL	<ul style="list-style-type: none"> Colors: White, Black, Yard Bronze Size: 7-3/8"W x 3"D x 48"L 	Black	1 Unit		
935458	QSR4-YB	<ul style="list-style-type: none"> Fasteners sold separately 	Yrd Bz	1 Unit		
904964	QSC-0W	Stair Stringer Connector Kit <ul style="list-style-type: none"> Designed to connect second stringer to QS7 but can be cut to size for connecting to smaller stringers 	White	1 Kit		
904965	QSC-BL	<ul style="list-style-type: none"> Includes: <ul style="list-style-type: none"> Two 5/2 1/4" x 2 1/4" posts, connection adapter brackets, and cross braces 	Black	1 Kit		
904966	QSC-YB	<ul style="list-style-type: none"> Fasteners sold separately Colors: Black, White, Yard Bronze 	Yard Bronze	1 Kit		

Fasteners						
SOS #	Vendor Model	Description	Colour	Qty	SOS Price	
904907	S114	#10 x 1 1/4" Self Drilling Screw <ul style="list-style-type: none"> To attach QuickStep stair treads to Quick-Step stair stringers 	NA	24/pkg		
904893	MB3	3/8" x 2 3/4" Structural Bolt c/w nut <ul style="list-style-type: none"> For use with mounting plate to stair treads Hot dipped galvanized 	GALV	24/pkg		
904963	MPI	Mounting Plate Insert <ul style="list-style-type: none"> Aluminum insert for mounting post on QST4 Stair Treads (2 pieces, 12" length) Fasteners sold separately 	NA	2 Pcs		
904813	MP5	5" Aluminum Bolt-Through Mounting Plate <ul style="list-style-type: none"> For Crystal Rail (under or sidemount) 	NA	1 Unit		



Your
inspiration
starts
HERE!



email: sales@classicrailing.com

QuickStep®
COMPLETE STAIR SYSTEM

Crystal Rail
FRAMELESS GLASS RAILING SYSTEM

Classic
ALUMINUM RAILING SYSTEMS

QuickKit®
ADA COMPLIANT HANDRAIL SYSTEM